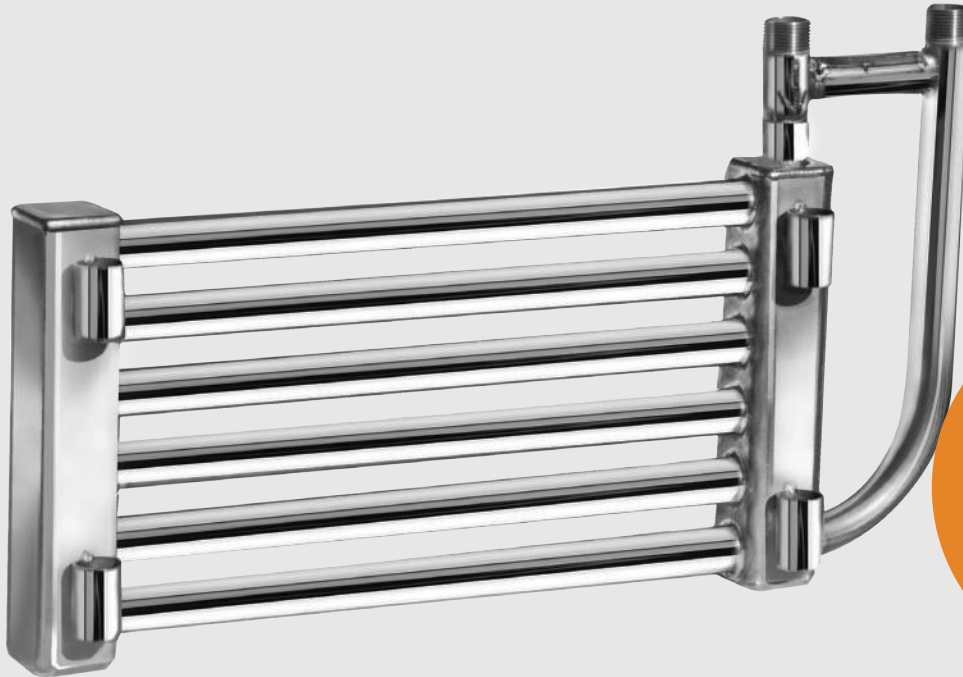




INTELLIGENT
HEATER

Heat Exchangers

Versatility.
Ingenuity.
Precision.



Introducing
Single Round
Grid Coils

FEATURES AND BENEFITS

The SRG Series Exchanger offer superior performance for use in heating and cooling applications and can be used in salt water, alkaline solutions and plating rinse tanks. Rugged construction with heavy gauge material in 316 stainless steel, titanium, zirconium or mild steel allows for long uninterrupted life. Fluoropolymer coating is available for corrosion protection at solution interface. Precision inlet and outlet manifolds enable single point connections that reduce potential for leaks while simplifying installation. Always consult your chemical supplier for proper sheathing material compatibility.

- ENTIRE EXCHANGER IS ACTIVE EXCHANGE AREA
- COMPACT LOW PROFILE DESIGN
- HIGH 100 PSI PRESSURE RATING (Custom higher pressure ratings available. Consult factory for additional information).
- UNLIMITED SIZES AVAILABLE. (Standard 4.6 sq. ft. to 89.8 sq. ft. of exchange area).
- LEAK FREE DESIGN PROVIDES LONG LIFE
- MOUNTING HANGERS AVAILABLE
- CUSTOM RISERS AVAILABLE
- HORIZONTAL OR VERTICAL DESIGNS AVAILABLE

NOTE: Consult factory for assistance with selecting the inlet and outlet connections. Larger inlet sizes are usually required for grid coils larger than 33 sq. ft. for steam and 25 sq. ft. for water.

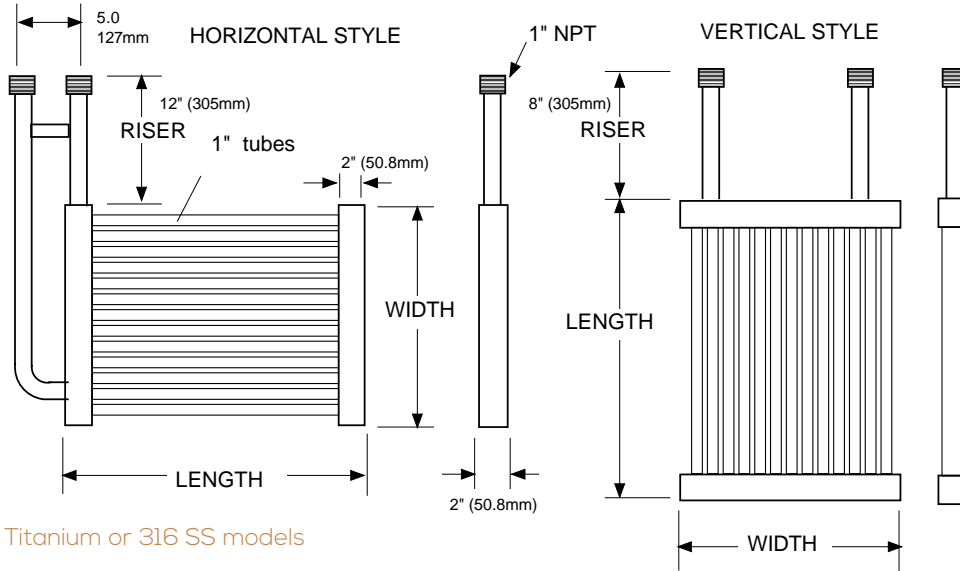


INTELLIGENT
HEATER

Intelligent Heater, LLC.
P.O. Box 2005, Alpharetta, GA U.S.A 30023-2005
phone: 1-800-241-0412 • 1-305-248-4971
email: info@intelligentheater.com
www.intelligentheater.com



Single Round Grid Coil Specifications



Titanium or 316 SS models

Custom riser sizes available, Specify Steam or Water.

Custom inlet and outlet sizes

Horizontal and vertical models available

Single Round Grid Coils

SINGLE ROUND GRID COILS SRG					
Exchange Area Sq Ft	# Tubes	DEPTH In/mm	LENGTH In/mm	MODEL STYLE	WEIGHT Lbs/Kg
12-1 2" WIDTH					
4.6	8	12.5/318	24/610	8SRG-24	13/6
5.6	8	12.5/318	30/762	8SRG-30	14/6.5
6.7	8	12.5/318	36/915	8SRG-36	15/7
8.8	8	12.5/318	48/1,219	8SRG-48	18/8
10.9	8	12.5/318	60/1,524	8SRG-60	20/9
13.7	8	12.5/318	72/1,829	8SRG-72	25/11.5
15.1	8	12.5/318	84/2,134	8SRG-84	30/13.5
17.2	8	12.5/318	96/2,438	8SRG-96	35/16
19.2	8	12.5/318	108/2,743	8SRG-108	38/17
21.3	8	12.5/318	120/3,048	8SRG-120	42/19
23.4	8	12.5/318	132/3,353	8SRG-132	45/20.5
25.5	8	12.5/318	144/3,658	8SRG-144	50/22.5
18-1 2" WIDTH					
6.8	12	18.5/470	24/610	12SRG-24	15/7
8.4	12	18.5/470	30/762	12SRG-30	18/8
10	12	18.5/470	36/915	12SRG-36	22/10
13.2	12	18.5/470	48/1,219	12SRG-48	28/13
16.3	12	18.5/470	60/1,524	12SRG-60	35/16
19.5	12	18.5/470	72/1,829	12SRG-72	45/20.5
22.6	12	18.5/470	84/2,134	12SRG-84	50/22.5
25.7	12	18.5/470	96/2,438	12SRG-96	56/25.5
28.9	12	18.5/470	108/2,743	12SRG-108	62/28
32	12	18.5/470	120/3,048	12SRG-120	68/31
35.2	12	18.5/470	132/3,353	12SRG-132	75/34
38.3	12	18.5/470	144/3,658	12SRG-144	90/41

SINGLE ROUND GRID COILS SRG					
Exchange Area Sq Ft	# Tubes	DEPTH In/mm	LENGTH In/mm	MODEL STYLE	WEIGHT Lbs/Kg
24-1 2" WIDTH					
9.4	16	24.5/622	24/610	16SRG-24	20/9
11.5	16	24.5/622	30/762	16SRG-30	25/11.5
13.5	16	24.5/622	36/915	16SRG-36	29/13
17.8	16	24.5/622	48/1,219	16SRG-48	35/15.5
22	16	24.5/622	60/1,524	16SRG-60	43/19.5
26.1	16	24.5/622	72/1,829	16SRG-72	50/22.5
30.3	16	24.5/622	84/2,134	16SRG-84	62/28
34.5	16	24.5/622	96/2,438	16SRG-96	70/32
38.7	16	24.5/622	108/2,743	16SRG-108	80/36
42.9	16	24.5/622	120/3,048	16SRG-120	88/40
47	16	24.5/622	132/3,353	16SRG-132	97/44
51.3	16	24.5/622	144/3,658	16SRG-144	105/47.5
30-1 2" WIDTH					
11.5	20	30.5/775	24/610	20SRG-24	23/10.5
14.2	20	30.5/775	30/762	20SRG-30	28/13
16.8	20	30.5/775	36/915	20SRG-36	34/15.5
22	20	30.5/775	48/1,219	20SRG-48	40/18
27.2	20	30.5/775	60/1,524	20SRG-60	48/22
32.5	20	30.5/775	72/1,829	20SRG-72	55/25
37.7	20	30.5/775	84/2,134	20SRG-84	68/31
42.9	20	30.5/775	96/2,438	20SRG-96	75/34
48.2	20	30.5/775	108/2,743	20SRG-108	87/39.5
53.4	20	30.5/775	120/3,048	20SRG-120	100/45.5
58.5	20	30.5/775	132/3,353	20SRG-132	115/52
63.9	20	30.5/775	144/3,658	20SRG-144	125/57

SINGLE ROUND GRID COILS SRG					
Exchange Area Sq Ft	# Tubes	DEPTH In/mm	LENGTH In/mm	MODEL STYLE	WEIGHT Lbs/Kg
36-1 2" WIDTH					
13.7	24	36.5/927	24/610	24SRG-24	38/17
16.8	24	36.5/927	30/762	24SRG-30	42/19
20	24	36.5/927	36/915	24SRG-36	45/20.5
26.3	24	36.5/927	48/1,219	24SRG-48	50/22.5
32.5	24	36.5/927	60/1,524	24SRG-60	57/26
38.8	24	36.5/927	72/1,829	24SRG-72	65/29.5
45.1	24	36.5/927	84/2,134	24SRG-84	75/34
51.4	24	36.5/927	96/2,438	24SRG-96	85/38.5
57.7	24	36.5/927	108/2,743	24SRG-108	100/45.5
64	24	36.5/927	120/3,048	24SRG-120	115/52
70.3	24	36.5/927	132/3,353	24SRG-132	130/52
76.6	24	36.5/927	144/3,658	24SRG-144	150/68
48-1 2" WIDTH					
15.8	28	42.5/1080	24/610	28SRG-24	40/18
19.5	28	42.5/1080	30/762	28SRG-30	45/20.5
23.2	28	42.5/1080	36/915	28SRG-36	50/22.5
30.6	28	42.5/1080	48/1,219	28SRG-48	58/26.5
38	28	42.5/1080	60/1,524	28SRG-60	65/29.5
45.4	28	42.5/1080	72/1,829	28SRG-72	75/34
52.8	28	42.5/1080	84/2,134	28SRG-84	85/38.5
60.2	28	42.5/1080	96/2,438	28SRG-96	100/45.5
67.6	28	42.5/1080	108/2,743	28SRG-108	115/52
75	28	42.5/1080	120/3,048	28SRG-120	130/59
82.4	28	42.5/1080	132/3,353	28SRG-132	150/68
89.8	28	42.5/1080	144/3,658	28SRG-144	175/79.5

