



INTELLIGENT
HEATER

Heat Exchangers

Versatility.
Ingenuity.
Precision.



NEW

Introducing
**RECTANGLE
GRID COILS**

FEATURES AND BENEFITS

The RG Series Exchanger is one of two NEW INNOVATIVE DESIGNS offered by IHC. This design offer superior performance for use in heating and cooling applications where space is an issue. These unique RECTANGULAR shape tube grids require a substantially smaller footprint to adequately heat or cool a given exchange area. They can be used in salt water, alkaline solutions and plating rinse tanks. Rugged construction with heavy gauge material in 316 stainless steel, titanium, zirconium or mild steel allows for long uninterrupted life. Fluoropolymer coating is available for corrosion protection at solution interface. Precision inlet and outlet manifolds enable single point connections that reduce potential for leaks while simplifying installation. Always consult your chemical supplier for proper sheathing material

- ENTIRE EXCHANGER IS ACTIVE EXCHANGE AREA
- COMPACT LOW PROFILE DESIGN
- HIGH 100 PSI PRESSURE RATING (Custom higher pressure ratings available. Consult factory for additional information).
- UNLIMITED SIZES AVAILABLE. (Standard 5.9 sq. ft. to 140.0 sq. ft. of exchange area).
- LEAK FREE DESIGN PROVIDES LONG LIFE
- MOUNTING HANGERS AVAILABLE
- CUSTOM RISERS AVAILABLE
- HORIZONTAL OR VERTICAL DESIGNS AVAILABLE

NOTE: Consult factory for assistance with selecting the inlet and outlet connections. Larger inlet sizes are usually required for grid coils larger than 33 sq. ft. for steam and 25 sq. ft. for water.

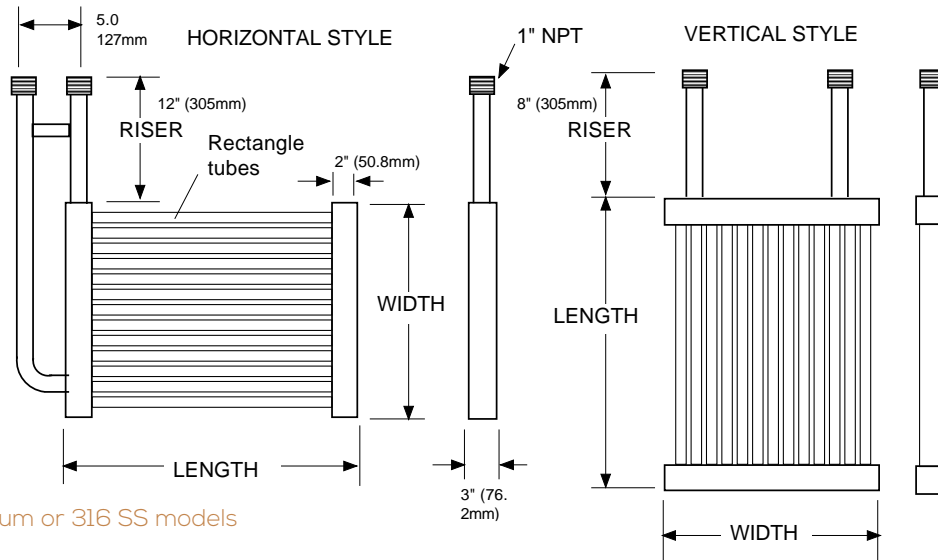


INTELLIGENT
HEATER

Intelligent Heater, LLC.
P.O. Box 2005, Alpharetta, GA U.S.A 30023-2005
phone: 1-800-241-0412 • 1-305-248-4971
email: info@intelligentheater.com
www.intelligentheater.com



Rectangle Grid Coil Specifications



Titanium or 316 SS models

Custom riser sizes available, Specify Steam or Water.
Custom inlet and outlet sizes
Horizontal and vertical models available

Rectangle Grid Coils

RECTANGLE STYLE GRID COILS RG				
Exchange Area Sq Ft	# Tubes	DEPTH In/mm	LENGTH In/mm	MODEL STYLE
12-1/2" WIDTH				
5.9	12	12.5/318	14/355	12RG-14
7.5	12	12.5/318	18/457	12RG-18
10	12	12.5/318	24/609	12RG-24
12.5	12	12.5/318	12RG-30	12RG-36
15	12	12.5/318	36/914	16DRG-36
20	12	12.5/318	48/1,219	12RG-48
22.6	12	12.5/318	54/1,371	12RG-54
28	12	12.5/318	64/1,625	12RG-64
18-1/2" WIDTH				
11	18	18.5/470	18/457	18RG-18
15	18	18.5/470	24/609	18RG-24
18.8	18	18.5/470	30/762	18RG-30
22.5	18	18.5/470	36/914	18RG-36
30	18	18.5/470	48/1,219	24DRG-48
33.8	18	18.5/470	54/1,371	18RG-54
40	18	18.5/470	64/1,625	18RG-64
46	18	18.5/470	74/1,879	18RG-74
24-1/2" WIDTH				
20	32	24.5/622	24/609	24RG-24
25	32	24.5/622	30/762	24RG-30
30	32	24.5/622	36/914	24RG-36
40	32	24.5/622	48/1,219	24RG-48
45	32	24.5/622	60/1,524	24RG-54
53	32	24.5/622	74/1,879	24RG-64
61.7	32	24.5/622	74/1,879	24RG-74

RECTANGLE STYLE GRID COILS RG				
Exchange Area Sq Ft	# Tubes	DEPTH In/mm	LENGTH In/mm	MODEL STYLE
30-1/2" WIDTH				
31	30	30.5/755	30/762	30RG-30
37.5	30	30.5/755	36/914	30RG-36
50	30	30.5/755	48/1,219	30-RG48
56	30	30.5/755	54/1,371	30RG-54
66.7	30	30.5/755	64/1,625	30RG-64
77	30	30.5/755	74/1,879	30RG-74
87.5	30	30.5/755	84/2,134	30RG-84
36-1/2" WIDTH				
45	36	36.5/927	36/914	36RG-36
60	36	36.5/927	48/1,219	36RG-48
67.5	36	36.5/927	54/1,371	36RG-54
80	36	36.5/927	64/1,625	36RG-64
92.5	36	36.5/927	74/1,879	36RG-74
105	36	36.5/927	84/2,134	36RG-84
48-1/2" WIDTH				
80.6	48	48.5/1080	48/1,219	48RG-48
90	48	48.5/1080	54/1,371	48RG-54
106.7	48	48.5/1080	64/1,625	48RG-64
123	48	48.5/1080	74/1,879	48RG-74
140	48	48.5/1080	84/2,134	48RG-84

ALL SIZES AVAILABLE CONSULT FACTORY

